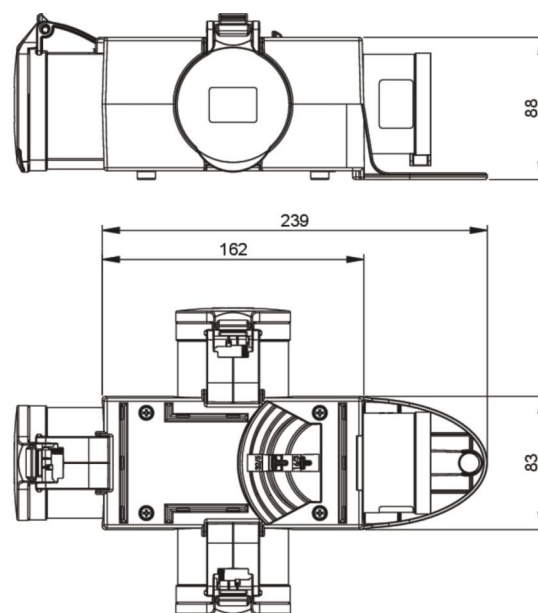


article#	9437430
article description	Mobile distribution box plastic series ST.ANTON 4F 32/5 PW16/5 m.B
description long	mobile thermoplastic distribution box series St.Anton 4f IP44 with handle 1xC EE-plug 16A 5p 400V phase inverter 1xC EE-socket 32A 5p 400V protected over pre-fuse of supply line distribution box is ready wired for using
GTIN (EAN)	9003399575549
country of origin	AT
customs number	85366990
net weight	0.700 kg
packaging quantity	5
minimum order quantity	1

ETIM 9.0	EC000379
Protection	None
Material housing	Plastic
Contact material	CuZn
Power supply/connection possibility	Built-up plug
Number of poles mains connection	5
Type of mains connection	CEE 16 A
Handling	Portable
Degree of protection (IP)	IP44
Colour	Black



<https://www.pcelectric.at/shop/en/?func=detail&artnr=9437430>

