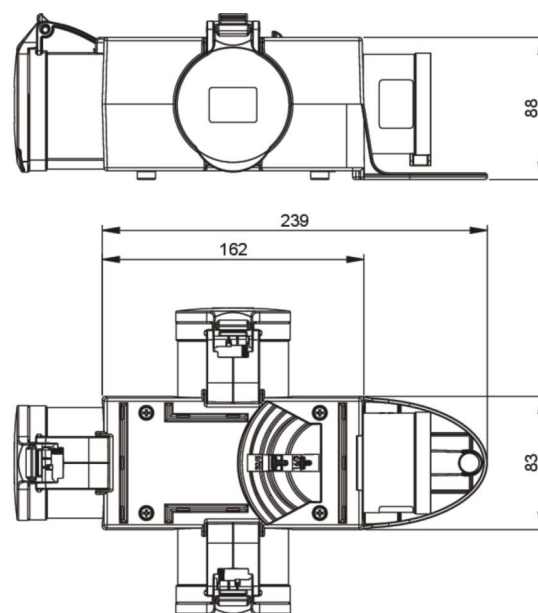


article#	<b>9437114</b>
article description	<b>Distribution box plastic mobile ST.ANTON 4F 3x32/5 1.5m5G4H0PW32/5 o.B IP44</b>
description long	Distribution box, mobile, thermoplastic, series St.Anton 4f IP44 1,5m cable H07RN-F 5G4mm <sup>2</sup> with phase inverter plug 32A 5p 400V 3xCEE-Steckdose 32A 5p 400V not fused Distribution box is ready wired for connection
GTIN (EAN)	9003399575211
country of origin	AT
customs number	85366990
net weight	1.850 kg
minimum order quantity	1

ETIM 9.0	EC000379
CEE socket outlet 32 A	3x32A5p400V
Protection	None
Earth leakage switch	None
Material housing	Plastic
Contact material	CuZn
Power supply/connection possibility	Feeder cable with plug
Type of mains connection	CEE 32 A
Cable length	1.5 m
Handling	Portable
Degree of protection (IP)	IP44
Colour	Black
Height	88 mm
Width	161 mm
Depth	81 mm



<https://www.pcelectric.at/shop/en/?func=detail&artnr=9437114>

