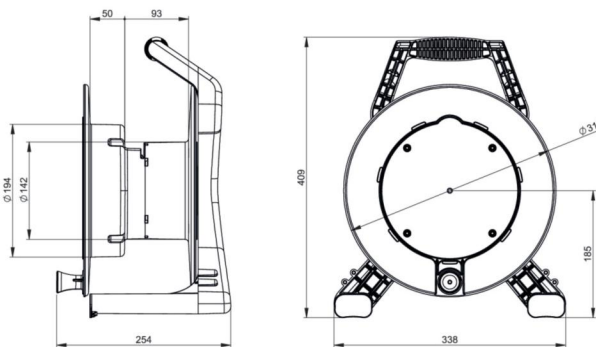


article#	9350202-p
article description	XREEL310 4xSSD54+L 40m3G2.5H07 K2
description long	Cable Reel XREEL310 Reel (black) with central, internal locking mechanism Protected connecting area Solid carrying rack (black) with ergonomic handle and 2 parking positions for the plug Central plate with 4 pcs safety machine sockets national version with self-closing hinged lids and sealing edge (105-0bsw) Rated operating voltage: 250V Rated current: 16A Protection rating: IP54 1 pcs power supply light 40m Black cable H07RN-F 3G2.5mm2 Taurus2 solid rubber plug 16A 2p+PE 2SL 250V IP54 (0522-sr) XREEL310 installed ready for use complies with RoHS directive 2011/65/EU low voltage directive NSpRI 2014/35/EU UV stability according ISO 4892-2 acc standard IEC/EN 61242 Protection rating complete system: IP54 Conform with BGI608 K2
GTIN (EAN)	9003399323607
country of origin	PL
customs number	85444290
net weight	10.500 kg
packaging quantity	1
minimum order quantity	1

ETIM 9.0	EC000191
Material housing	Plastic
Cable assembly	H07RN-F
Core cross section	2.5 mm ²
Number of cores	3
Number of socket outlets with protective contact CEE 7/3 (type F)	4
Type of mains connection	Plug CEE 7/4 (type F)
Cable length	40 m
With mounting frame	True
With thermal overload protection	True
With locking	True
Degree of protection (IP)	IP54
Colour	Black



<https://www.pcelectric.at/shop/en/?func=detail&artnr=9350202-p>