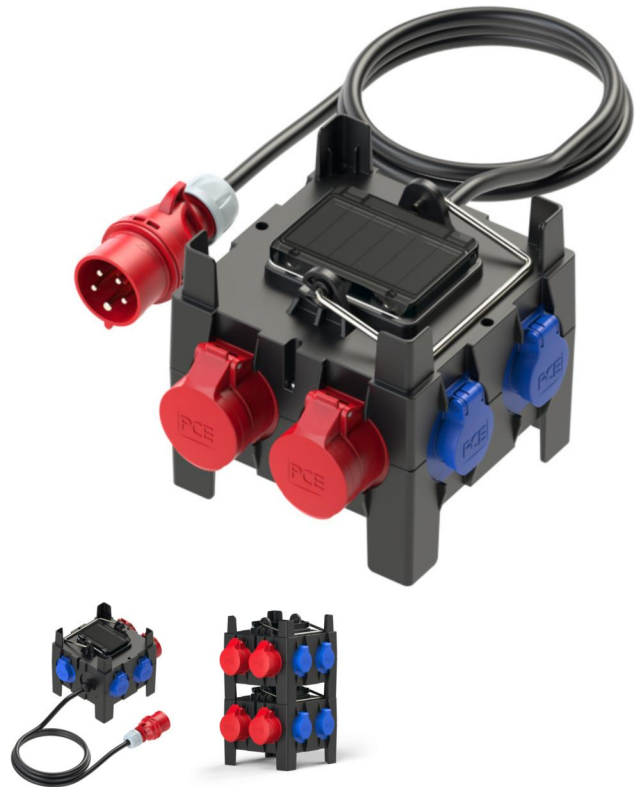
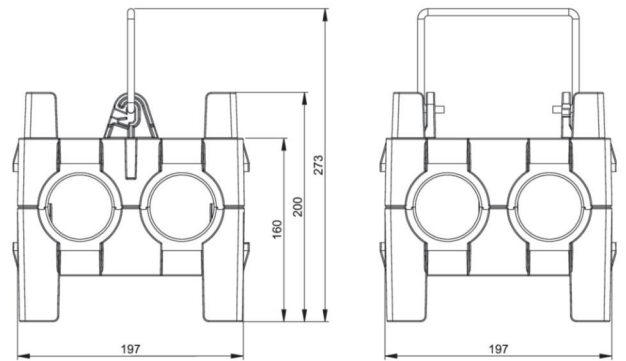


article#	9030204
article description	Distribution box plastic mobile IMST BV 2x16/5 5xSSD 2m5G2.5St16 Ea S IP44
description long	thermoplastic, mobile distributon box model IMST IP44 197x197x200 6TE sw 2m cable H07RN-F 5x2,5mm2 black with CEE-plug 16A 5p 400V 2xCEE-sockets 16A 5p 400V protected with pre-fuse of supply line 5xSK-sockets 16A250V IP54 fused with 2xMCB's 16A 1p C 1xRCD 40A/4/0.03A (TYP A 25AT) over all outlets MCB's and RCD are Eaton ÖVE / VDE branded distribution box is ready wired for using Note customer specification: Inc group (s) are additionally secured without selectivity for back-up protection
GTIN (EAN)	9003399106118
country of origin	AT
customs number	85371098
net weight	3.200 kg
packaging quantity	1
minimum order quantity	1



ETIM 9.0	EC000379
CEE socket outlet 16 A	2x16A5p400V
Number of socket outlets with protective contact CEE 7/3 (type F)	5
Protection	Overcurrent switch
Earth leakage switch	Earth leakage switch with IFN 30 mA (standard)
Number of miniature circuit breakers	5
Material housing	Plastic
Power supply/connection possibility	Feeder cable with plug
Type of mains connection	CEE 16 A
Cable length	2 m
Handling	Portable
Degree of protection (IP)	IP44
Colour	Black
Height	200 mm
Width	197 mm
Depth	197 mm



<https://www.pcelectric.at/shop/en/?func=detail&artnr=9030204>