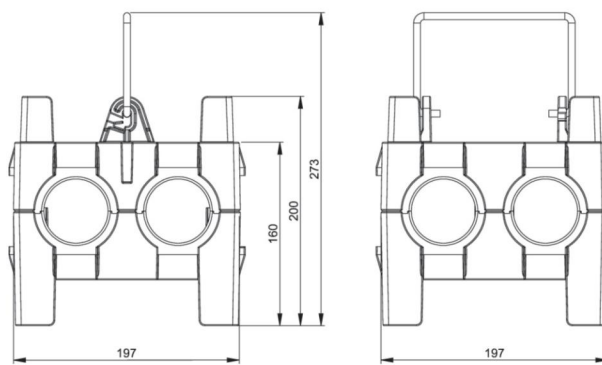


article#	9030129
article description	Distribution box plastic mobile IMST MV 2x16/5 2xSSD 2m5G4 oFI-mLS Ea S IP44
description long	<p>thermoplastic mobile distribution box model IMST IP44 197x197x200 8TE sw 2m cable H07RN-F 5G4mm2 black with plug 32A 5p 400V 2xCEE-socket 16A 5p 400V fused with 2xMCB`s 16A 3p C 2xSK-sockets 16A 250V IP54 fused with 2xMCB`s 16A 1p C MCB`s are Eaton ÖVE / VDE branded distribution box is ready wired for using Label: "Additional protection by FI circuit breaker on the supply side required!" please note: According to the applicable electrical installation regulations, sockets up to and including 32A basically are with residual current protection max. to protect 30mA. The objective resource is following the customer requests executed without residual current protection! It is part of the customer agreement, the safety of the electrical system regarding the lack of residual current protection through suitable replacement measures to be manufactured in accordance with the applicable electrical installation regulations. The legally compliant implementation of these replacement measures is the sole responsibility of the installer / operator.</p>
GTIN (EAN)	9003399103988
country of origin	AT
customs number	85371098
net weight	3.700 kg
packaging quantity	1
minimum order quantity	1



ETIM 9.0	EC000379
CEE socket outlet 16 A	4x16A5p400V
Number of socket outlets with protective contact CEE 7/3 (type F)	5
Protection	Overcurrent switch
Earth leakage switch	None
Number of miniature circuit breakers	4
Material housing	Plastic
Power supply/connection possibility	Feeder cable with plug
Type of mains connection	CEE 32 A
Cable length	2 m
Handling	Portable
Degree of protection (IP)	IP44
Colour	Grey
Height	200 mm
Width	197 mm
Depth	197 mm







<https://www.pcelectric.at/shop/en/?func=detail&artnr=9030129>

