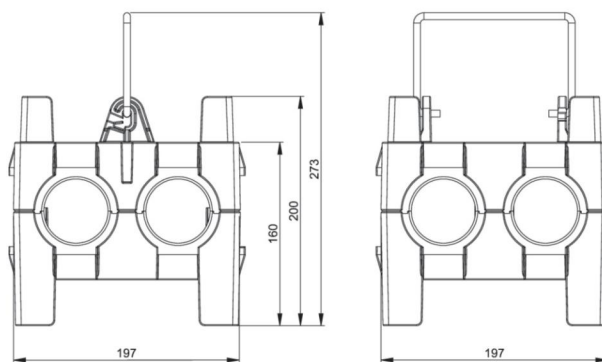


article#	9030117
article description	Distribution box plastic mobile IMST BV 32/5 16/5 3xSSD 2m5G4 Ea S IP44
description long	thermoplastic mobile distribution box model IMST IP44 197x197x200 8TE sw 2m cable H07RN-F 5G4mm2 black with plug 32A 5p 400V 1xC EE-socket 32A 5p 400V protected with pre-fuse of supply line 1xC EE-socket 16A 5p 400V fused with 1xMCB 16A 3p C 3xSK-socket 16A 250V IP54 fused with 1xMCB 16A 1p C 1xRCD 63A/4/0.03A (TYP A 40AT) over all outlets MCB's and RCD are Eaton ÖVE / VDE branded distribution box is ready wired for using
GTIN (EAN)	9003399104022
country of origin	AT
customs number	85371098
net weight	3.800 kg
packaging quantity	1
minimum order quantity	1

ETIM 9.0	EC000379
CEE socket outlet 16 A	1x16A5p400V
CEE socket outlet 32 A	1x32A5p400V
Number of socket outlets with protective contact CEE 7/3 (type F)	3
Protection	Overcurrent switch
Earth leakage switch	Earth leakage switch with IFN 30 mA (standard)
Number of miniature circuit breakers	5
Material housing	Plastic
Power supply/connection possibility	Feeder cable with plug
Type of mains connection	CEE 32 A
Cable length	2 m
Handling	Portable
Degree of protection (IP)	IP44
Colour	Grey
Height	200 mm
Width	197 mm
Depth	197 mm







<https://www.pcelectric.at/shop/en/?func=detail&artnr=9030117>