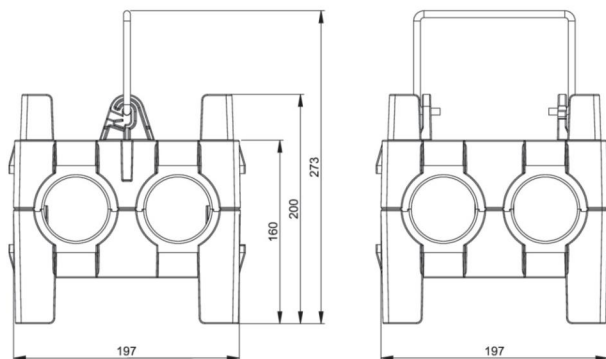


article#	<b>9030020</b>
article description	<b>Distribution box plastic mobile IMST MV 2x16/5 5xSSD 2m5G2.5St16 H07 S IP44</b>
description long	Distribution box, mobile, thermoplastic, series IMST IP44 200x197x197 2m cable H07RN-F 5G2,5mm <sup>2</sup> with CEE-plug 16A 5p 400V 2xCEE-socket 16A 5p 400V not fused 5xsocket (DIN49440) 16A 250V IP54 not fused Distribution box is ready wired for connection
GTIN (EAN)	9003399105685
country of origin	AT
customs number	85366990
net weight	2.450 kg
packaging quantity	1
minimum order quantity	1

ETIM 9.0	EC000379
CEE socket outlet 16 A	2x16A5p400V
Number of socket outlets with protective contact CEE 7/3 (type F)	5
Protection	None
Earth leakage switch	None
Material housing	Plastic
Power supply/connection possibility	Feeder cable with plug
Type of mains connection	CEE 16 A
Cable length	2 m
Handling	Portable
Degree of protection (IP)	IP44
Colour	Black
Height	200 mm
Width	197 mm
Depth	197 mm



<https://www.pceelectric.at/shop/en/?func=detail&artnr=9030020>

