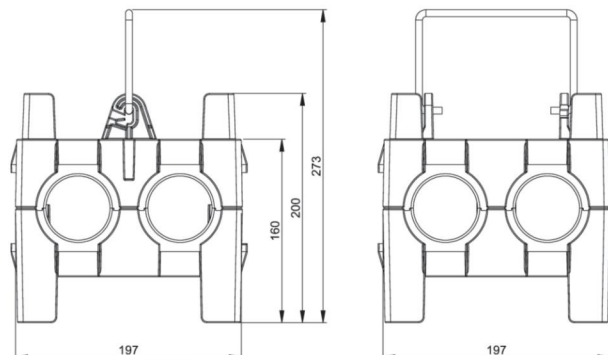


article#	<b>9030014</b>
article description	<b>Distribution box plastic mobile IMST BV 2x16/5 4xSSD GS16/5 mFI Ea S IP44</b>
description long	Distribution box, mobile, thermoplastic, series IMST IP44 200x197x197 1xCEE-plug 16A 5p 400V 2xCEE-socket 16A 5p 400V not fused 4xsocket (DIN49440) 16A 250V IP54 not fused 1xRCD 40A/4/0.03A (TYP A25AT) over all outlets Distribution box is ready wired for connection
GTIN (EAN)	9003399109454
country of origin	AT
customs number	85371098
net weight	2.300 kg
packaging quantity	1
minimum order quantity	1

ETIM 9.0	EC000379
CEE socket outlet 16 A	2x16A5p400V
Number of socket outlets with protective contact CEE 7/3 (type F)	4
Protection	None
Earth leakage switch	Earth leakage switch with IFN 30 mA (standard)
Material housing	Plastic
Power supply/connection possibility	Built-up plug
Type of mains connection	CEE 16 A
Handling	Portable
Degree of protection (IP)	IP44
Colour	Black
Height	200 mm
Width	197 mm
Depth	197 mm



<https://www.pcelectric.at/shop/en/?func=detail&artnr=9030014>

