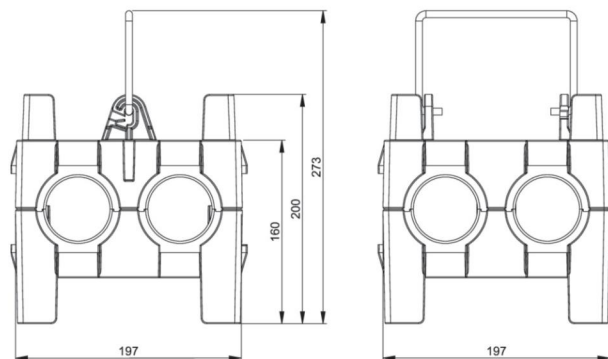


article#	9030004
article description	Distribution box plastic mobile IMST BV 2x16/5 5xSSD 2m5G2.5 St16 Ea S IP44
description long	Distribution box, mobile, thermoplastic, series IMST IP44 200x197x197 2m cable H07RN-F 5G2,5mm ² with CEE-plug 16A 5p 400V 2xCEE-socket 16A 5p 400V not fused 5xsocket (DIN49440) 16A 250V IP54 not fused 1xRCD 40A/4/0.03A (TYP A 25AT) over all outlets Distribution box is ready wired for connection
GTIN (EAN)	9003399023842
country of origin	AT
customs number	85371098
net weight	2.900 kg
packaging quantity	1
minimum order quantity	1

ETIM 9.0	EC000379
CEE socket outlet 16 A	2x16A5p400V
Number of socket outlets with protective contact CEE 7/3 (type F)	5
Protection	None
Earth leakage switch	Earth leakage switch with IFN 30 mA (standard)
Material housing	Plastic
Power supply/connection possibility	Feeder cable with plug
Type of mains connection	CEE 16 A
Cable length	2 m
Handling	Portable
Degree of protection (IP)	IP44
Colour	Black
Height	200 mm
Width	197 mm
Depth	197 mm



<https://www.pcelectric.at/shop/en/?func=detail&artnr=9030004>

