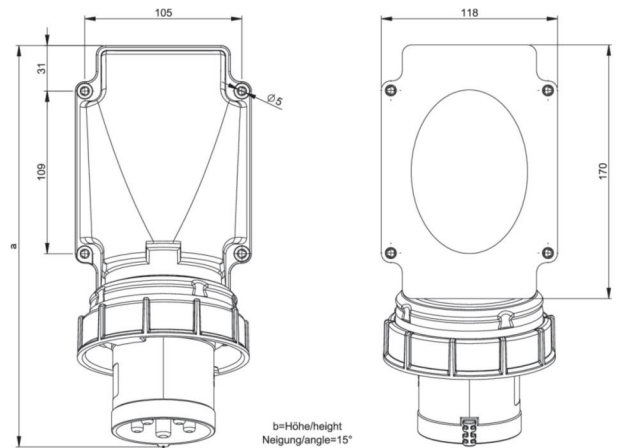


| | |
|------------------------|--|
| article# | 77735-6 |
| article description | CEE-flanged plug sloping 63A 5p 6h IP67 POWER TWIST |
| description long | CEE-flanged plug sloping 63A 5p 6h IP67 POWER TWIST housing material: PC/ABS rated current: 63A number of poles: 5 (3P+N+PE) clock-position: 6h rated voltage/frequency: 200/346V~ - 240/415V~/ 50+60Hz contacts: brass nickel plated, with pilot pin connection technology: frame terminals with screws IP protection class: IP66/IP67 |
| GTIN (EAN) | 9003399209536 |
| country of origin | AT |
| customs number | 85366990 |
| net weight | 0.746 kg |
| packaging quantity | 2 |
| minimum order quantity | 2 |

| | |
|---------------------------------|----------------------|
| ETIM 9.0 | EC001319 |
| IEC-amperage | 63 A |
| Voltage according to EN 60309-2 | 400 V (50+60 Hz) red |
| Number of poles | 5 |
| Clock hour position | 6 h |
| Identification colour | Red |
| Degree of protection (IP) | IP67 |
| Connection system | Screwed terminal |
| Construction type | Built-up device plug |
| Phase inverter | False |
| Angle of plug | Angled |
| Material | Plastic |
| Contact material | CuZn |
| Surface treatment contacts | Nickel-plated |

| | |
|------------------------|----------------------|
| a | 271 mm |
| b | 124 mm |
| wire flexible | 6-16 mm ² |
| wire solid | 6-25 mm ² |
| contact screws | 200 Ncm |
| connecting screws | 200 Ncm |
| dismantling length | 100 mm |
| stripping length | 15-18 mm |
| ambient temperature | -25 – 40 °C |
| temperature resistance | -25 – 80 °C |
| IK-code *) | IK10 |



<https://www.pcelectric.at/shop/en/?func=detail&artnr=77735-6>



*) The IK-test is not part of the IEC 60309 standard for industrial plugs and socket-outlets or the IEC 60884 standard for household plugs and socket-outlets. PC Electric GmbH has therefore tested the IK-codes of these products in accordance with IEC 62262 and according to the test method of IEC 60068-2-75 Ehc, with conditioning for 48 hours at 40°C and a relative humidity of 95%.