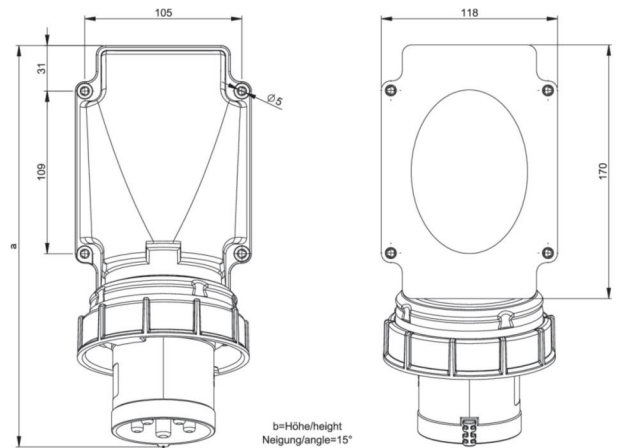


article#	77734-6
article description	CEE-flanged plug sloping 63A 4p 6h IP67 POWER TWIST
description long	CEE-flanged plug sloping 63A 4p 6h IP67 POWER TWIST housing material: PC/ABS rated current: 63A number of poles: 4 (3P+PE) clock-position: 6h rated voltage/frequency: 380-415V~ / 50+60Hz contacts: brass nickel plated, with pilot pin connection technology: frame terminals with screws IP protection class: IP66/IP67
GTIN (EAN)	9003399224867
country of origin	AT
customs number	85366990
net weight	0.704 kg
packaging quantity	2
minimum order quantity	2

ETIM 9.0	EC001319
IEC-amperage	63 A
Voltage according to EN 60309-2	400 V (50+60 Hz) red
Number of poles	4
Clock hour position	6 h
Identification colour	Red
Degree of protection (IP)	IP67
Connection system	Screwed terminal
Construction type	Built-up device plug
Phase inverter	False
Angle of plug	Angled
Material	Plastic
Contact material	CuZn
Surface treatment contacts	Nickel-plated

a	271 mm
b	124 mm
wire flexible	6-16 mm ²
wire solid	6-25 mm ²
contact screws	200 Ncm
connecting screws	200 Ncm
dismantling length	100 mm
stripping length	15-18 mm
ambient temperature	-25 – 40 °C
temperature resistance	-25 – 80 °C
IK-code *)	IK10



<https://www.pcelectric.at/shop/en/?func=detail&artnr=77734-6>



*) The IK-test is not part of the IEC 60309 standard for industrial plugs and socket-outlets or the IEC 60884 standard for household plugs and socket-outlets. PC Electric GmbH has therefore tested the IK-codes of these products in accordance with IEC 62262 and according to the test method of IEC 60068-2-75 Ehc, with conditioning for 48 hours at 40°C and a relative humidity of 95%.