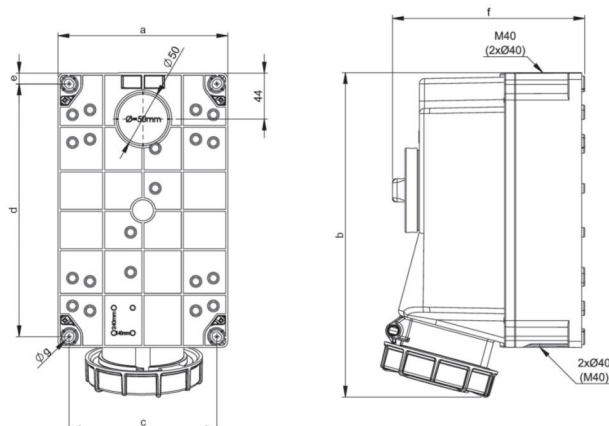


article#	75352-6
article description	CEE-switched interlocked socket 63A 5p 6h IP66/IP67
description long	CEE-switched interlocked socket 63A 5p 6h IP66/IP67 housing material: PC/ABS rated current: 63A number of poles: 5 (3P+N+PE) clock-position: 6h rated voltage/frequency: 200/346V~ - 240/415V~ / 50+60Hz contacts: brass, with lamellar spring (CuBe) connection technology: screw terminals wall mounting, mechanical interlock switch: ON/OFF PCE-Merz ML2-063; EN 60947-3; AC22A, 10kA cable entry: top, bottom or rear (incl. threaded blind cap) IP protection class: IP66/IP67
GTIN (EAN)	9003399068706
country of origin	AT
customs number	85366990
net weight	2.179 kg
packaging quantity	1
minimum order quantity	1

ETIM 9.0	EC001324
IEC-amperage	63 A
Number of poles	5
Voltage according to EN 60309-2	400 V (50+60 Hz) red
Clock hour position	6 h
Identification colour	Red
Degree of protection (IP)	IP67
Switch	Mechanical locking
Material housing	Plastic
Model	Base unit and cover
Contact material	CuZn
Surface treatment contacts	Nickel-plated

a	162 mm
b	310 mm
c	140 mm
d	240 mm
e	11 mm
f	184 mm
g	9 mm
wire flexible	6-25 mm ²
wire solid	6-35 mm ²
contact screws	250 Ncm
housing screws	200 Ncm
ambient temperature	-25 – 40 °C
temperature resistance	-25 – 80 °C
IK-code *)	IK08







<https://www.pcelectric.at/shop/en/?func=detail&artnr=75352-6>



*) The IK-test is not part of the IEC 60309 standard for industrial plugs and socket-outlets or the IEC 60884 standard for household plugs and socket-outlets. PC Electric GmbH has therefore tested the IK-codes of these products in accordance with IEC 62262 and according to the test method of IEC 60068-2-75 Ehc, with conditioning for 48 hours at 40°C and a relative humidity of 95%.