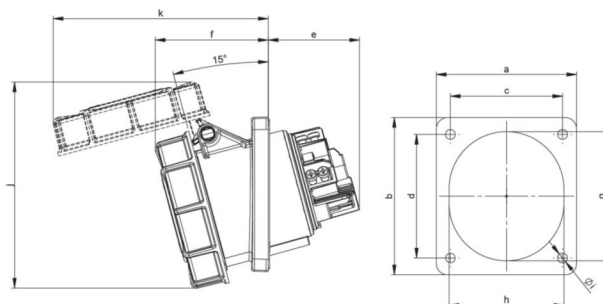


article#	433-6
article description	CEE-flanged socket sloping (100x112) 63A 3p 6h IP67 POWER TWIST
description long	CEE-flanged socket sloping (100x112) 63A 3p 6h IP67 POWER TWIST housing material: PA6 rated current: 63A number of poles: 3 (2P+PE) clock-position: 6h rated voltage/frequency: 200-250V~ / 50+60Hz contacts: brass, with lamellar spring (CuBe) connection technology: frame terminals with screws dimensions (flange/fixing center): 100x112 mm / 80x88 mm IP protection class: IP66/IP67
GTIN (EAN)	9003399199554
country of origin	AT
customs number	85366990
net weight	0.495 kg
packaging quantity	2
minimum order quantity	2

ETIM 9.0	EC001317
IEC-amperage	63 A
Voltage according to EN 60309-2	230 V (50+60 Hz) blue
Number of poles	3
Clock hour position	6 h
Identification colour	Blue
Degree of protection (IP)	IP67
Connection system	Screwed terminal
Angle of plug	Angled
Material	Plastic
Contact material	CuZn
Surface treatment contacts	Untreated
Flange size vertical	112 mm
Drill hole distance vertical	88 mm
Flange size horizontal	100 mm
Drill hole distance horizontal	80 mm

a	100 mm
b	112 mm
c	80 mm
d	88 mm
e	64 mm
f	80 mm
g	92 mm
h	82 mm
i	7 mm
j	148 mm
k	154 mm
wire flexible	6-16 mm ²
wire solid	6-25 mm ²
contact screws	200 Ncm
dismantling length	100 mm
stripping length	15-18 mm
ambient temperature	-25 – 40 °C
temperature resistance	-25 – 80 °C
IK-code *)	IK10

tested the IK-codes of these products in accordance with IEC 62262 and according to the test method of IEC 60068-2-75 Ehc, with conditioning for 48 hours at 40°C and a relative humidity of 95%.







<https://www.pcelectric.at/shop/en/?func=detail&artnr=433-6>



*) The IK-test is not part of the IEC 60309 standard for industrial plugs and socket-outlets or the IEC 60884 standard for household plugs and socket-outlets. PC Electric GmbH has therefore