

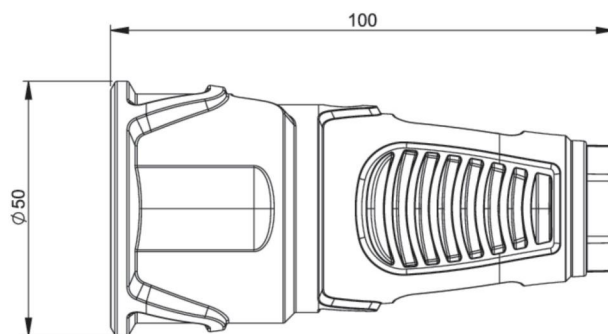
article#	2510-src
article description	Taurus2 rubber safety connector nat SH IP20 (black/red)
description long	Safety connector series Taurus2 - rubber color (housing/ring): black/red material (housing/contact carrier): TPE/PA6 earthing system: Austrian/German with shutter 16A/ 250V AC / 3p (2P+E), protection rating: IP20
GTIN (EAN)	9003399465437
country of origin	AT
customs number	85366990
net weight	0.072 kg
packaging quantity	20
minimum order quantity	20

ETIM 9.0	EC001327
Model	Coupler CEE 7/3 (Typ F)
Material	Rubber
Material quality	Thermoplastic
For heavy conditions according to VDE	True
Degree of protection (IP)	IP20
Insert direction	Straight
Connection system	Screwed terminal
Colour	Black
Number of poles	3
Nominal voltage	250 V
Nominal current	16 A

K (cable Ø)	6-13 mm
wire flexible	1-2,5 mm ²
contact screws	80 Ncm
housing screws	110 Ncm
strain relief	110 Ncm
dismantling length	30 mm
stripping length	7 mm
ambient temperature	-25 – 40 °C
IK-code *)	IK09



*) The IK-test is not part of the IEC 60309 standard for industrial plugs and socket-outlets or the IEC 60884 standard for household plugs and socket-outlets. PC Electric GmbH has therefore tested the IK-codes of these products in accordance with IEC 62262 and according to the test method of IEC 60068-2-75 Ehc, with conditioning for 48 hours at 40°C and a relative humidity of 95%.







<https://www.pcelectric.at/shop/en/?func=detail&artnr=2510-src>