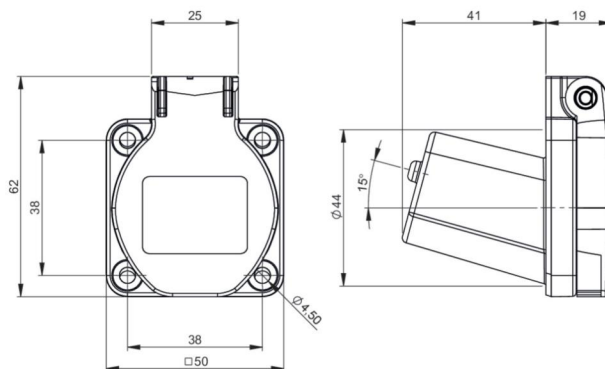


| | |
|------------------------|---|
| article# | 110m-0e |
| article description | Data socket with lid, 1op., w/o module |
| description long | Socket modular with hinged lid, color: yellow, housing material: PA6 1x opening (2nd to breakout) suitable for Keystone modules, incl. rubber seal with 2 cable entries IP54 (lid closed) |
| GTIN (EAN) | 9003399346859 |
| country of origin | AT |
| customs number | 85366990 |
| net weight | 0.035 kg |
| packaging quantity | 1 |
| minimum order quantity | 1 |

| | |
|-----------------------------------|----------|
| ETIM 9.0 | EC001264 |
| Duct installation | True |
| Type of fastening | Screwing |
| Suitable for number of connectors | 1 |
| Colour | Yellow |
| Outlet direction | Inclined |
| With dust cover | True |
| Degree of protection (IP) | IP54 |
| Width of device | 50 mm |
| Height of device | 50 mm |



<https://www.pcelectric.at/shop/en/?func=detail&artnr=110m-0e>

