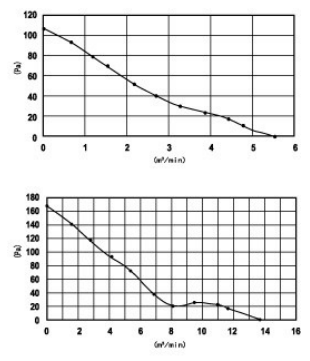
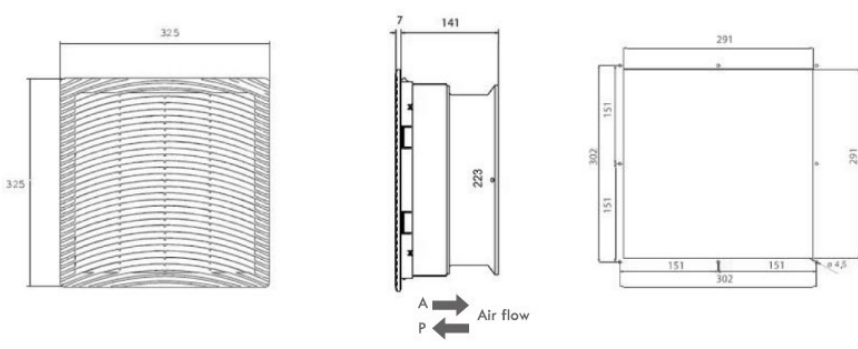


| Fan and filter | Fan and filter | Exit filter | Installing section |
|----------------|----------------|-------------|--------------------|
| FK 5526 ... | FK 5526.230 | FK 5526.300 | FK 5526... |

| Power specific property curve |
|-------------------------------|
| FK 5526... |



| CODE | | Exit filter | Fan and filter | Fan and filter |
|-------------------------|---------|-------------|----------------|----------------|
| TYPE | M.U | FK5526.300 | FK5526.230 | FK5526.115 |
| Voltage/Phase/Frequency | V-ph-Hz | | 230-1-50/1/60 | 115/1/50-60 |
| Height/Width/Depth | mm | 325×325×25 | 325×325×141.5 | 325×325×141.5 |
| Power/Current | W/A | | 63/0.29 | 61/0.61 |
| Temperature limits | °C | | -10/+80 | -10/+80 |
| Protection degree | IP | 55 | 55 | 55 |
| Noise level | dB(A) | | 59 | 59 |
| Air flow | m³/h | | 550/600 | 550/600 |
| Air flow (+FK5526.300) | m³/h | | 360/490 | 360/490 |
| Air flow direction | | | A | A |